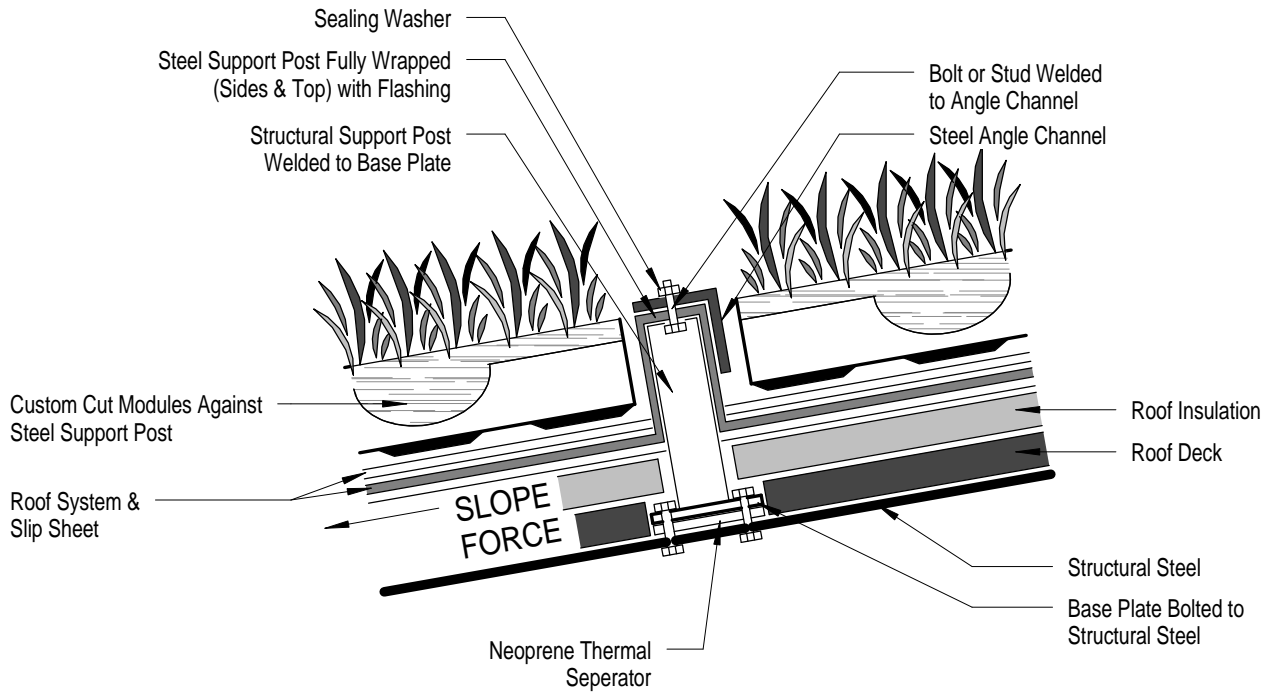


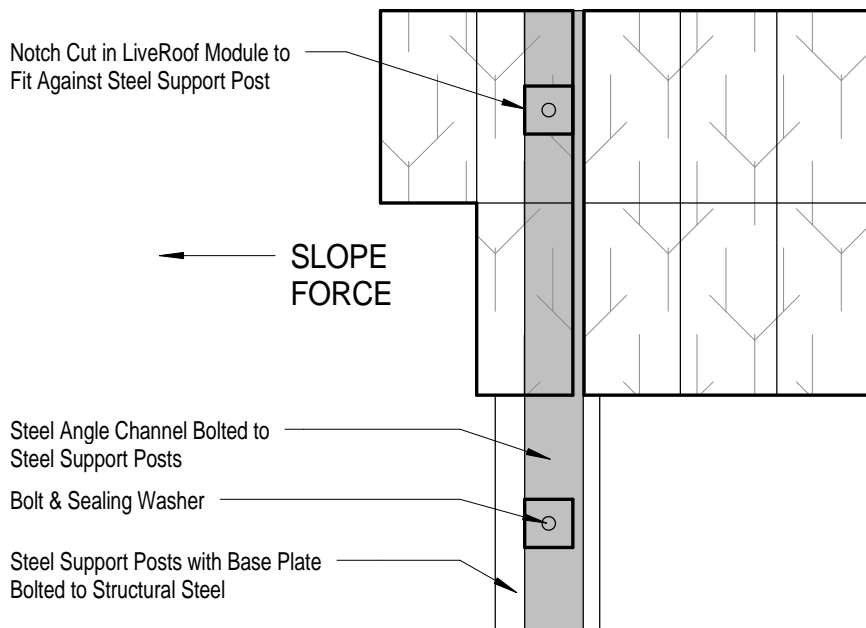
SLOPED APPLICATION

Bolted Structural Post and Steel Angle
Channel Constraint Against
Downward Force

SIDE VIEW



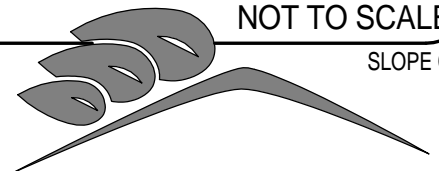
TOP VIEW



NOT TO SCALE

SLOPE C

ILLUSTRATIONS ARE TO CONCEPTUALLY ASSIST PROFESSIONALS IN DESIGN OF STRUCTURAL SUPPORTS. LIVEROOF DOES NOT ACCEPT RESPONSIBILITY FOR ENGINEERING BASED ON ILLUSTRATIONS. A QUALIFIED STRUCTURAL ENGINEER SHOULD BE CONSULTED TO DETERMINE APPROPRIATE FORCE CONTAINMENT AND SUITABLE DESIGN.



LiveRoof